



RPG-H08

High Precision Gas Pressure Regulator

Features

- Piloted main valve
- Low maintenance and life-cycle cost

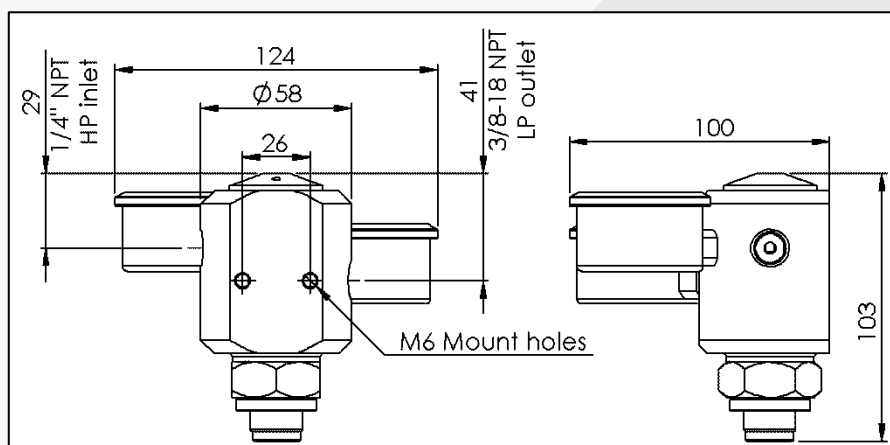
Applications

- Any gas supply that requires high capacity and precise pressure control

Description

The RPG-H08 is a high performance servo controlled pressure reducer valve designed to provide a stable low pressure flow from a high pressure gas reservoir (max 300 bar).

In the standard versions the outlet pressure can be adjusted from 4 to 18 barg. On request a pressure range from 1-9 barg is available.



Specifications

Model / Part no.	Pressure rating [barg]	Controlled Pressure Range [barg]	Weight	Material in pressure housing	Max Flow [normal l per min]
RPG-H08-M-S-P300	300	4-18	1,5kg	316L	6500 with 200barg supply@ 12 barg
RPG-H08-M-D-P300	300	4-18	1,5kg	Duplex	6500 with 200barg supply@ 12 barg